

Clevertest Plus

Refer to the supplementary operation guide supplied with the Product.

After Power ON, the Status LED on a Clevertest Plus enabled fitting will display a rapid Green or Red flashing for a period up to 2 minutes.

Zoneworks, HIVE Option

Fittings with part numbers -HVG are fitted with Zoneworks communications modules (nodes). These fittings are monitored using either Powerline Carrier Technology that utilize the power cable to provide data communication, RF transceiver modules operating in the ISM band or a dedicated data cable to/from data routers installed on a dedicated data trunk connected to a central Server (can also be connected via Ethernet/Internet/Fibre). Zoneworks software on the server is used to monitor, coordinate testing, and collate test data from each fitting. Zoneworks Fittings can be commissioned by a single push of the test switch or by scanning the supplied barcode. The LED Test Switch indicator provides a multifunction indication of the status of the fitting during testing and normal operation:

Option	State	LED Operation
HVG	Commissioned	LED on Solid (Green)
	Un-commissioned With network connectivity	Batt plugged-in: yellow 1s, green 1s
		Batt unplugged: red 1s, off 1s
	Un-commissioned Without network connectivity	Batt plugged-in: yellow 250mS, green 250mS, yellow 250mS, green 250mS, green 1s
		Batt unplugged: red 250mS, off 250mS, red 250mS, off 250mS, off 1s
Emergency Light Test In Progress	LED flashes at yellow 1s , Off 1s	

For further information of installation of a Zoneworks system, please refer to the Zoneworks Users Guide and Commissioning Guide.

DALI EM Option

Luminaires with part numbers having -D2 are fitted with DALI modules (nodes) that facilitate connection and integration to 3rd Party Lighting Control Systems. Before installing the -D2 fitting please confirm that the Lighting Control System has the capability to monitor DALI Emergency Luminaires. The -D2 fitting will be addressed and configured into the control system by the Lighting Control System Commissioning Technicians and not Clevertronics.

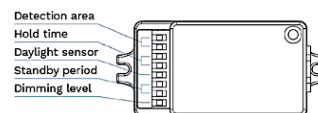
State	LED Operation
Commissioned/ Un-commissioned	LED on Solid (Green)
Emergency Light Test in progress	LED flashes at 1s On (Yellow) & 1s Off
"IDENTIFY COMMAND"	Lamp and Status LED Flash for 30 seconds

A 2-way "figure 8" cable and terminal block facilitates the connection to the DALI network OR a 5/6way "structured wiring system" lead and plug facilitating the power and DALI connection. DALI connections are marked as **Da Da**.

Microwave Sensor Option

Refer to the supplementary operation guide supplied with the Product.


– [Clevertronics Stallion Driver](#), [Sensor Adjust](#).



IP65 CIRCULAR LED Luminaire Installation & Maintenance Instruction Leaflet



3000K 4000K 5700K

NOTE: Standard product codes with this symbol  are enabled with Clevertest Plus capability. Please refer to the operation guide supplied with the product for details .

Australia (Head Office)

Website: www.clevertronics.com.au

Email: info@clevertronics.com.au

Phone: +61 3 9559 2700

UK OFFICE

Website: www.clevertronics.co.uk

Email: sales@clevertronics.co.uk

Phone: 01895 430 255



Models:

ARGOCIRC-xx-LP-yy-zz

Options:

Without Sensor xx = blank

Microwave Sensor xx = SEN

Testing:

Manual Test

DALI-2

Zoneworks HIVE yy = HVG

Colour:

Black zz = BLK

White zz = WHT

Spare Parts:

1550231

Replacement Battery

8051460

Replacement LED Board

UKM02370320001

Replacement Emergency Driver

1330105

Replacement 240V Driver

1330104

Replacement 240V Driver (-SEN)

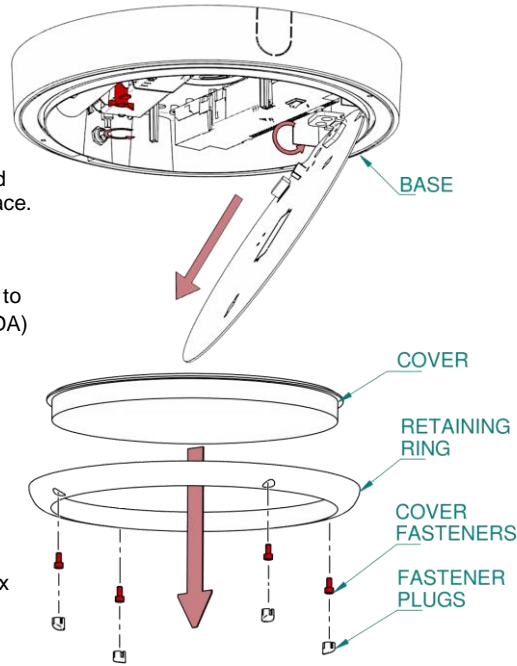
Important:

It is illegal for anyone, except for a licensed electrician to install or maintain this product. Before installation, ensure that the electricity supply has been switched off and isolated. Installation must be carried out in accordance with the relevant British Standards.

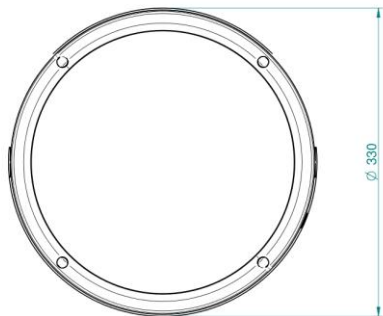
Installation:

This product is a surface ceiling or wall mount fitting. Please follow below image and steps to install:

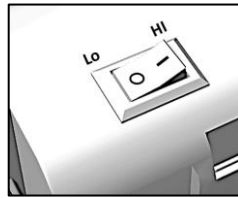
- Remove the x4 fastener plugs and x4 fastener screw to release retaining ring and diffuser.
- Release the LED board by twisting the butterfly lock, then flip and slide forward the LED board to access the base.
- Drill cable entry hole and mounting holes at base.
- Position the circular light to desired location and mark out the fixing points on the mounting surface.
- Route power supply cables through entry hole and fasten the circular light to the surface.
- Connect supply cable to the terminal according to the marked designation (L_{EM}, N, L_{SW}, DA, DA)
- Make sure battery is connected to the emergency driver. (for Non-Sensor version - Select HI / Lo light level output).
- Secure the LED board by slotting butterfly lock and twisting to locking position.
- Set the LED CCT switch to desired colour (3000K / 4000K / 5700K) and reinstall the diffuser and retaining ring.
- If the CTP capabilities are activated, please affix the CTP status label to a visible surface and Four Segment Marking on the product will include an "F" in third segment block.



Dimensions:



(Non-Sensor Version)
Driver Setting:



HI – High Lumen Output
Lo – Low Lumen Output

Note:

This luminaire (with reinforced insulation between control/LED terminal and AC supply) contains non-user replaceable light source and battery - to be replaced (if required, refer installation instructions for battery replacement) by Clevertronics service personnel/agents or a registered electrician.

If flexible wiring is connected to this luminaire and is within arm's reach, the wiring shall be effectively fixed to the wall to reduce the risk of strangulation.

Battery Replacement:

1. Prior to any work, isolate the power to the luminaire that requires battery replacement.
2. Remove diffuser and LED board as per installation section.
3. Disconnect the battery connector, remove battery from the holder.
4. Replace with new battery and reconnect to Emergency Driver.
5. Reinstall the LED board and diffuser as per installation section.

Testing Procedure:

When the unit is connected to the un-switched active, it must be allowed to charge the battery for at least 24 hours. The emergency lamp only illuminates during a power fail. Conduct the following tests:

- The emergency lamp must illuminate for at least 180 min after disconnection from the mains. If the unit fails to illuminate for the requisite time, remedial action must be taken to repair the situation and once completed, the unit must pass a subsequent test.
- Press and hold Test Button or switch Off Mains Supply, check that the emergency lamp is On.
- Release the Test Button or Switch On Mains Supply, check that the emergency lamp is Off (Non-maintained operation).

Trouble Shooting:

Below are a list of common problems and their possible causes.

Fault: The Green LED Test Switch indicator is not illuminated.

Check: A.C. is connected and is turned on.
Battery is connected
Test Switch for damage.

Fault: Lamp does not illuminate in emergency mode.

Check: A.C. is connected.
Lamp is correctly inserted.
Battery is connected

Fault: Lamp illuminates in emergency mode, but only stays on for a short period.

Check: Battery has been allowed to charge for at least 24 hours.
Battery for damage.

Caution:

On many building sites, power circuits may be cut off in an uncontrolled and repetitive basis during construction. As a result, any Exit & Emergency Units, on these circuits, will have their batteries discharged or "cycled". The Li-ion battery in the Exit & Emergency Unit has been selected to give excellent long life performance in a controlled IEC 60598-2-22 testing environment. Excessive battery cycling will reduce through-life performance and may lead to premature battery failure. Battery warranty claims, as a result of such abuse, are specifically EXCLUDED from Clevertronics warranty terms.

Warranty:

For Product Warranty information and Terms and Conditions of Sales please refer to our website <https://clevertronics.co.uk/product-warranty-statement/>